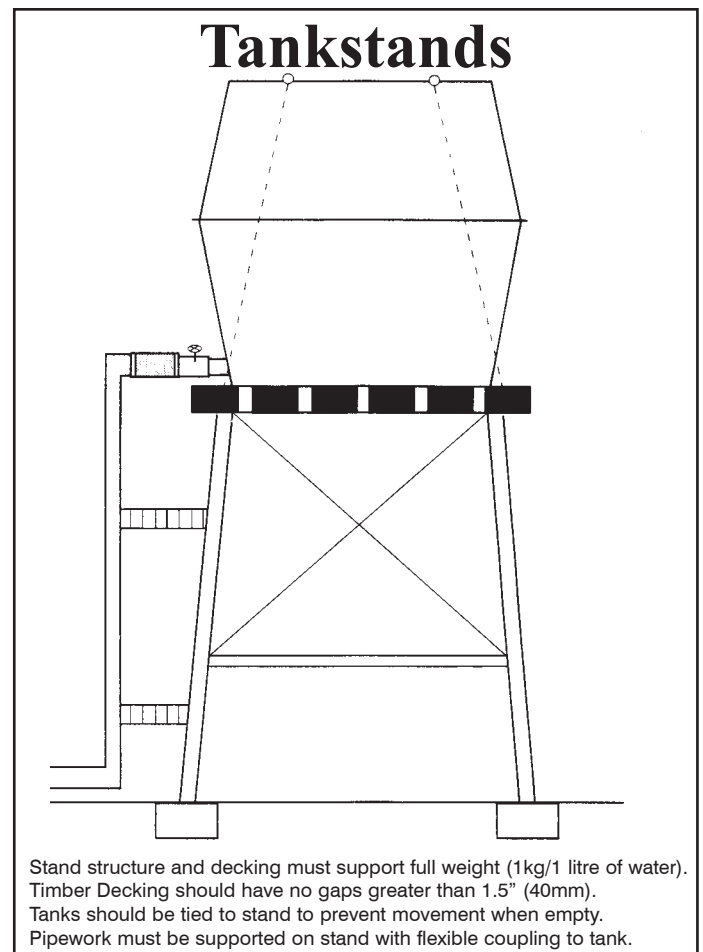
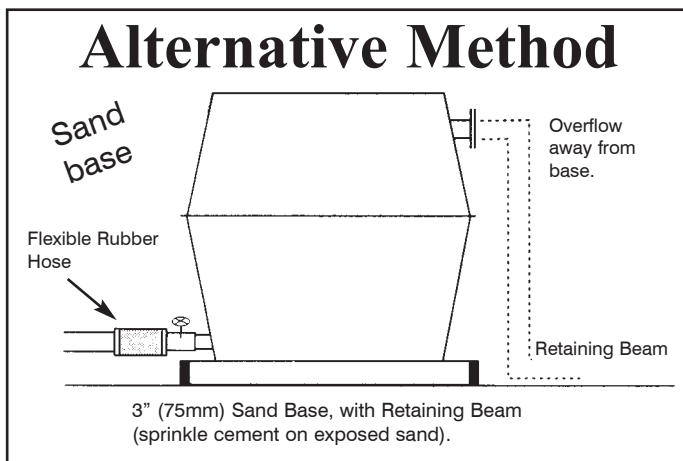
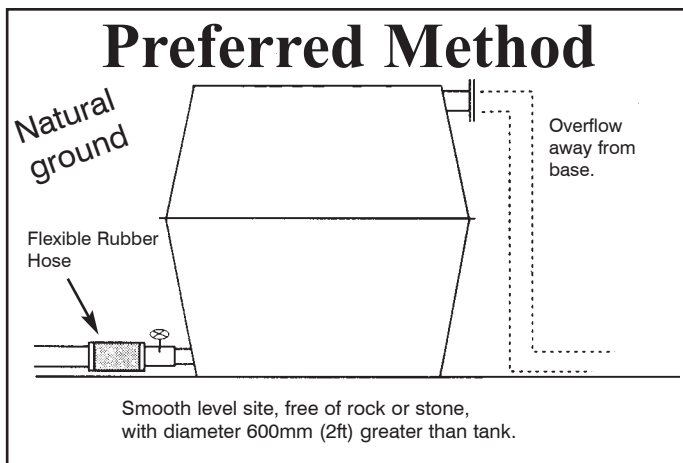




To ensure a long trouble free life for your tank please follow the recommended methods of installation. If you should have any queries regarding these or other methods of installation please do not hesitate in calling our office.

Tank Installation and Site Preparation



Critical Points to Remember

1. Base of tanks must be supported across its entire area (base support must remain flat at all times). The site must be fully maintained throughout the tanks lifespan.
2. Pipe work should not place any loading on tank wall (flexible coupling is best alternative).
3. Overflow size must equal or exceed inlet size.
4. Tank must be vented to prevent it being subject to pressure or vacuum (leafstrainer or breather must be installed).
5. Tie your tank down upon delivery.